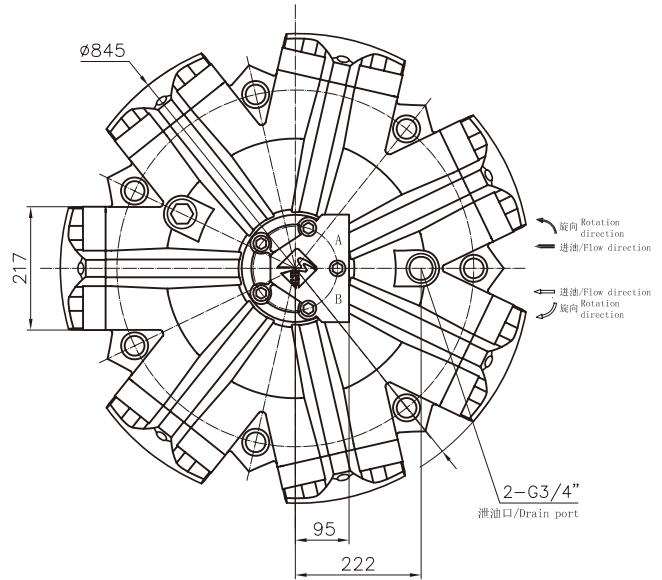
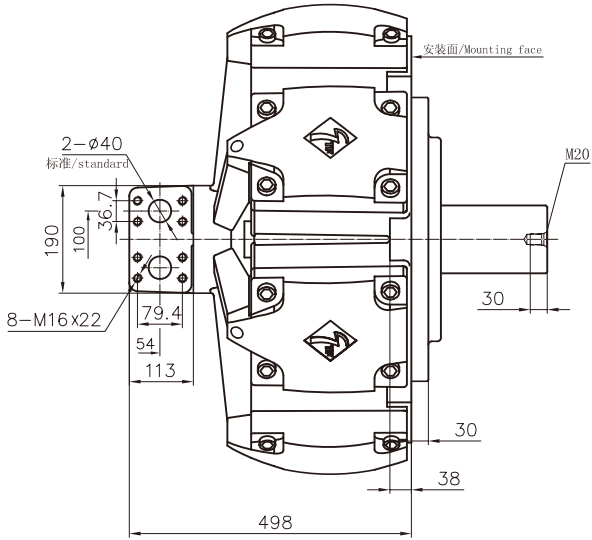
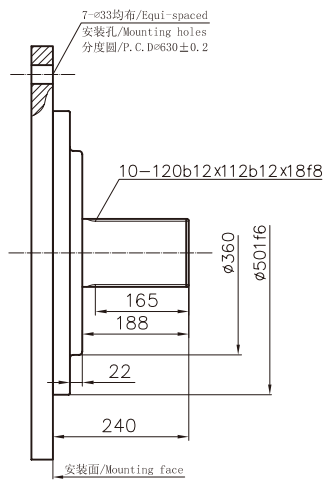


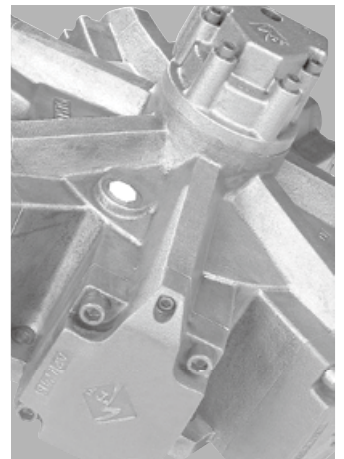
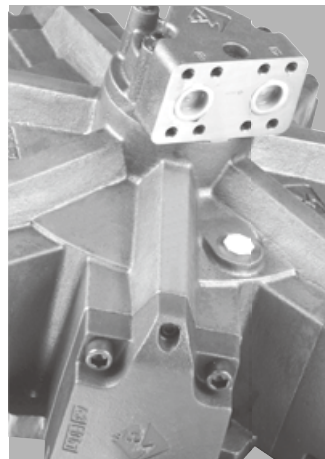
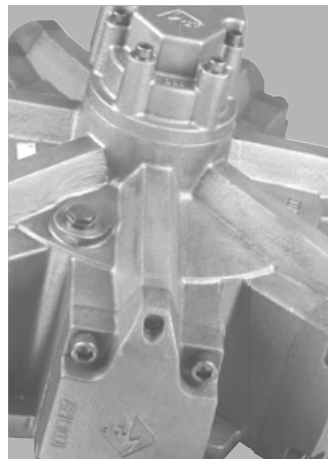
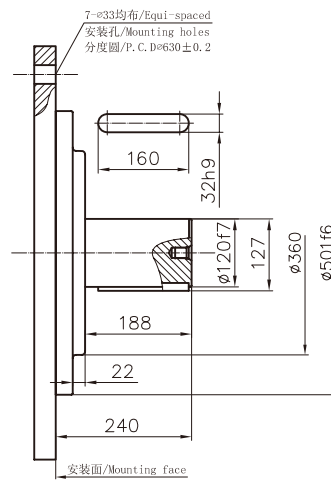
ITM100 外形及安装尺寸/ ITM100 Installation Dimensions



标准外花键
Involute Spline : ITM100-***



标准平键
Parallel Key : ITM100-***B



ITM

ITMS

STFC

STFD

CRM

OMZ