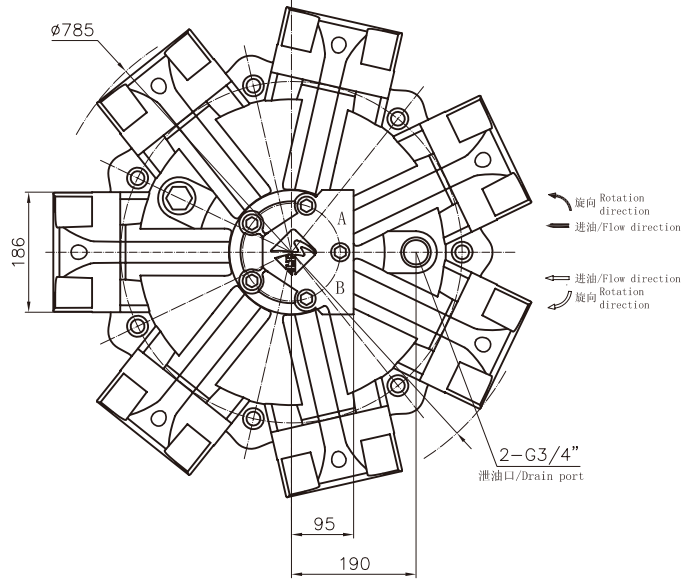
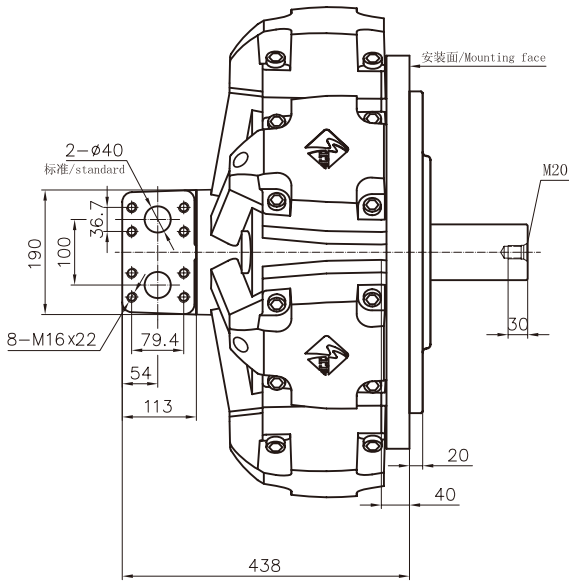
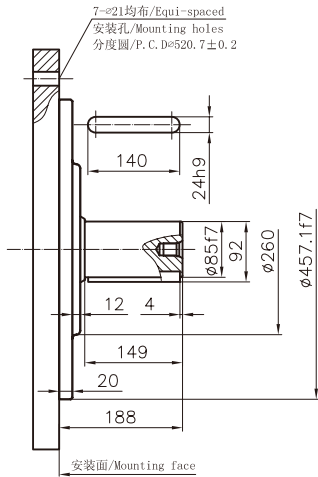


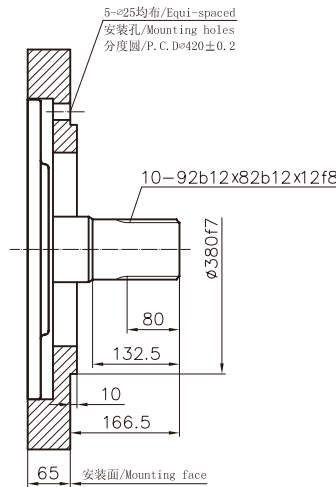
ITM70 外形及安装尺寸/ ITM70 Installation Dimensions



标准平键
Parallel Key : ITM70--**B



ITM70--**B₁



ITM70--**B₂

