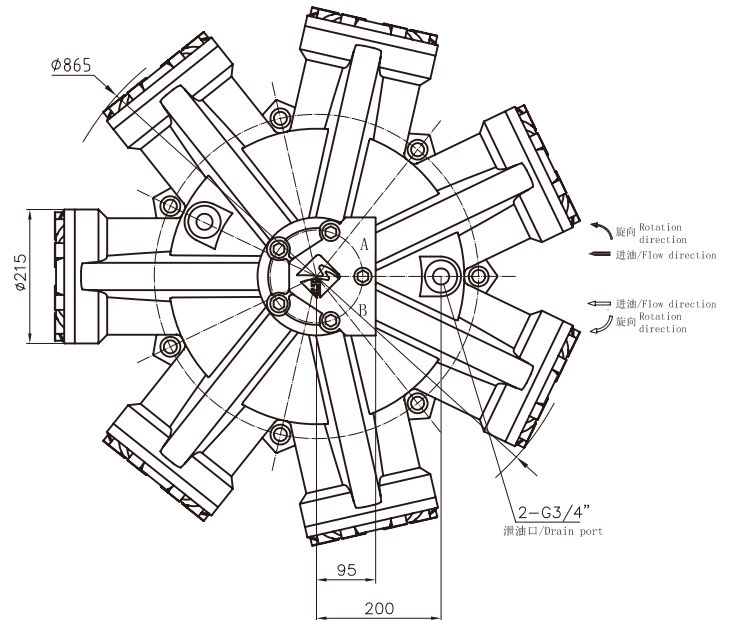
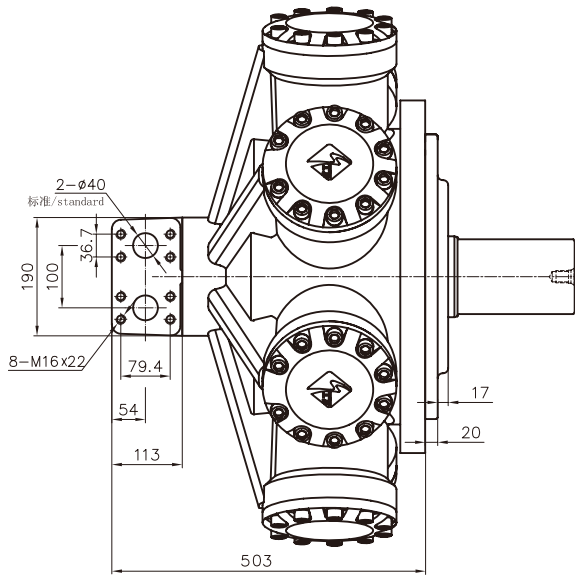


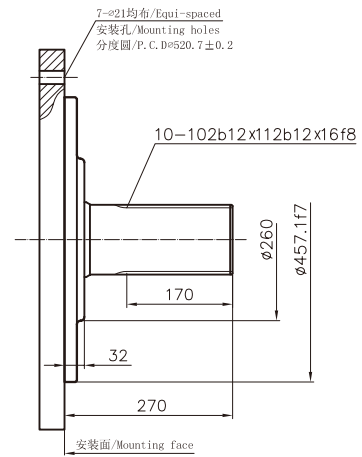
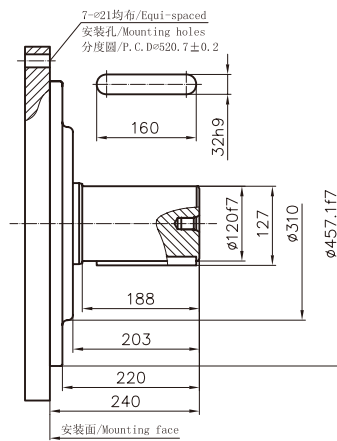
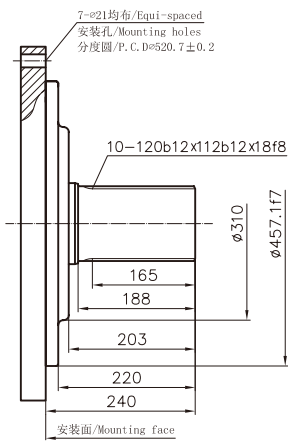
## ITMS100 外形及安装尺寸/ ITMS100 Installation Dimensions



标准外花键 : ITMS100-\*\*\*  
Involute Spline

标准平键 : ITMS100-\*\*\*B  
Parallel Key

ITMS100-\*\*\*a<sub>3</sub>



ITM

ITMS

STFC

STFD

CRM

OMZ